

Suite: Foyer/Hallway/Closet

**PROJECT: ZIGG CONDOS**  
**TYPES ' S1 ' & ' S6 '**

MODEL#612410BN

LAMP SUPPLIED: 1xTCP#LED10A19DOD30K



Description: Flush Mount Fixture-Brushed Nickel with  
Satin White Glass  
CSA / cUL Approved  
Finish: Brushed Nickel  
Diameter: 12" Height: 4"  
Lamp: 1 x 60W A19 MAXIMUM-(MEDIUM BASE PORCELAIN SOCKET)





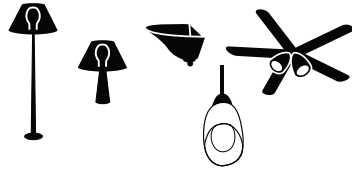
**PROJECT: ZIGG CONDOS**  
 TYPES 'S1' & 'S6'  
 MODEL#LED10A19DOD30K

**LED** 25,000 Hours average rated life, 120 Volts

**Applications:**

Ideal for applications where uniform multi-directional light output is required.

- + Table Lamps
- + Floor Lamps
- + Sconces
- + Ceiling Fixtures
- + Decorative Fixtures



Features	Benefits
Up to 85% less energy than halogen alternatives	Instant energy savings
Long life	Minimizes replacement and maintenance costs
Very low heat generation	Perfect for sensitive display lighting such as art galleries
Excellent Color Consistency and CRI	Enhances colors of focal point while maintaining uniformity throughout lighting installation from lamp to lamp
UL approved for damp location	Can be used outdoors when protected from elements. Withstands humidity indoors/outdoors
Shatter resistant	Lower the risk of injury and breakage
ANSI construction compliant	Fits all A19 installations
Rated for totally enclosed fixtures	Can be used indoors or outdoors in enclosed fixtures

**Specifications**

Input Line Voltage:	120 VAC
Input Power	See Chart
Input Line Frequency	50/60HZ
Lamp Life (Rated)	25,000 hrs
Minimum Starting Temp	-30°C
Maximum Operating Temp	40°C
CRI	82



**Omni-Directional**



- + Best "technical" A-Lamp replacement
- + Based on ENERGY STAR standard for omnidirectional lamps
- + Supported by many utility rebates

**All-Purpose**



- + Best "value" A-Lamp replacement
- + All-purpose lamp with excellent uniformity within 230 degrees that works well in all A-Lamp fixtures

UL US 5 YEAR WARRANTY\*

For the most up-to-date specs, please visit [www.tcp.com](http://www.tcp.com)

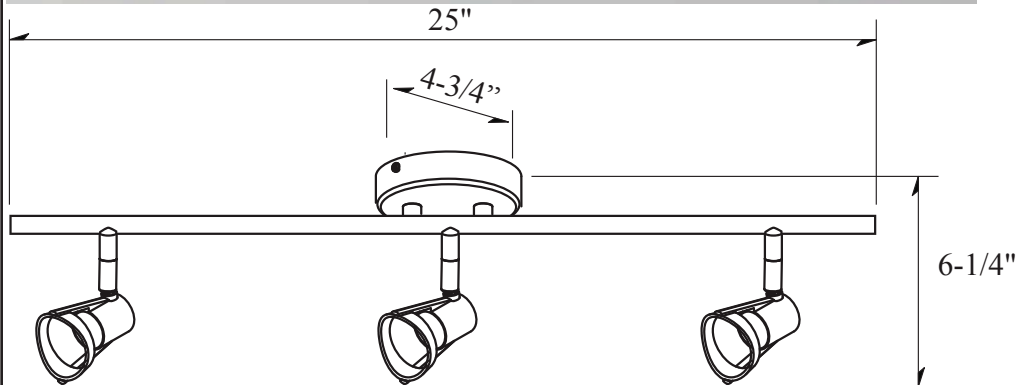
\*Based on 12 hours use per day



Suite: Kitchen

**PROJECT: ZIGG CONDOS**  
**TYPE ' S2 '**

MODEL#755593BN  
LAMP SUPPLIED : 3xARANI#BGU10-30K-V7



Description: Three-Light Halogen Track Lighting Fixture  
CSA and / or cUL Standards Approved  
Finish: Brushed Nickel  
Wattage: 3 x 50W Maximum GU10 Base Shielded  
Size: 25"L x 4-3/4"W x 6-1/4"H



# GU10

## VERSION 7



### DESCRIPTION

• Delivering 500 lumens with only 7.5 watts, this highly energy efficient lamp is fully dimmable, and is Version 7 of Arani's GU10 lamp, the current best in a long history of continuous research and development.

### APPLICATION

• Designed with a universal GU10 fitting, this lamp is versatile in its applications, and can be used for ambient lighting, work lighting, or in colour sensitive settings (CRI = 92.8).

### SPECIFICATIONS

#### Certifications

- Energy Star
- cULs
- CE
- RoHS

#### Color consistency

- Excellent color consistency
- No flickering
- Noise free

#### Dimensions

Ø50 x 55mm

#### Operating Temperatures

-10°C to 40°C

#### Finish

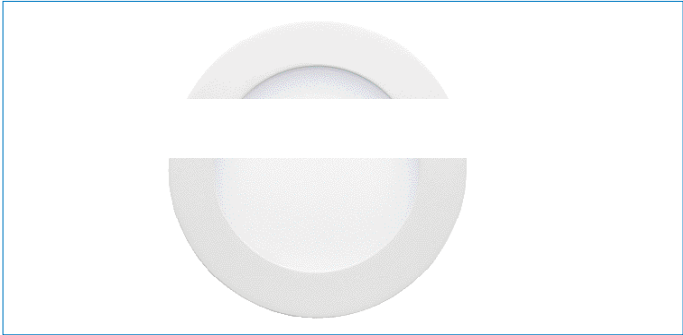
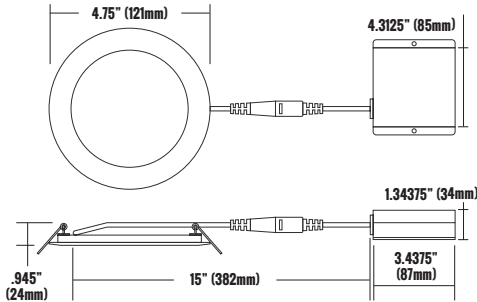
- White

### PERFORMANCE

Model Number	Power (Watts)	Lumens	Dimensions	Color Temp.	Input Voltage	Beam Angle	CRI
BGU10-30K-V7	7.5	500	Ø50 x 55mm	3000K	120VAC	40°	92.8
BGU10-40K-V7	7.5	500	Ø50 x 55mm	4000K	120VAC	40°	92.8



**PRODUCT CODE: DLSWR4-914D-WH-FF 4 INCH LED ULTRA SLIM PROFILE DOWNLIGHT**



**PRODUCT DESCRIPTION**

The Etlin-Daniels DLSWR4-914D-WH-FF LED Ultraslim Profile Downlight is a modern, sleek looking energy efficient option for both new construction and retrofit/remodeling projects. It installs easily where there is limited ceiling space due to ductwork, joists and beams. With Etlin-Daniels IP65 rating, our Ultraslim Downlights are suitable for a wide range of both indoor & outdoor applications. Why waste time installing older space restrictive recessed options when the Etlin-Daniels Ultraslim Profile Downlight provides a quick install solution and elegant, superior quality lighting for both residential and commercial applications?

- Aluminum hardwire box with dimmable LED driver
- Includes a 7" cable from driver to fixture

**FEATURES**

- LED light source
- 4" LED downlight
- Durable air tight Aluminum body
- Elegant White paint finish
- Etched white Polycarbonate diffuser lens
- Includes two spring loaded clips for mounting to any ceiling material
- The slim profile design allows mounting under joists or duct work
- 50,000hrs L70 life
- Triac dimmable
- IC Air-tight rated
- Suitable for wet location - IP65
- 5 year limited warranty

PRODUCT SPECIFICATIONS (OPTICAL DATA)								PRODUCT SPECIFICATIONS (ELECTRICAL DATA)				
LED TYPE	LED QTY	SYSTEM EFFICACY	LUMENS	COLOR TEMPERATURE	BEAM ANGLE	CRI	SYSTEM EFFICIENCY	VOLTAGE	POWER FREQ.	POWER EFFICIENCY	POWER FACTOR	HARMONIC DISTORTION
HONGLI TRONIC	45 CHIPS	61LM/W	550LM	4000K	120°	>80CRI	>90%	AC120V	50-60HZ	>80%	>0.98	<10%

**PRODUCT SPECIFICATIONS**

WATTAGE	FIXTURE MATERIAL	LIFE SPAN	STORAGE TEMP	OPERATING TEMP	PRODUCT DIMENSIONS	CARTON SIZE
9W	ALUMINUM/ POLYCARBONATE LENS	>50,000 HOURS	- 40°C~+100°C - 40°F~+212°F	- 40°C~+85°C - 40°F~+185°F	4.75 X .945 X 4.75 INCHES (121 X 24 X 121 MM)	17.32 X 11.02 X 9.05 INCHES (440 X 280 X 230MM)



ADDITIONAL INFORMATION	INSTALLATION METHOD	FIXTURE COLOR	CONTROL TYPE
	RECESSED CEILING MOUNT	WHITE WITH WHITE ETCHED DIFFUSER	TRIAC DIMMABLE DRIVER INCLUDED



**PROJECT: ZIGG CONDOS**  
 TYPE ' S5 '  
 MODEL#DLSWR4-914D-WH-FF c/w DLS4-MP

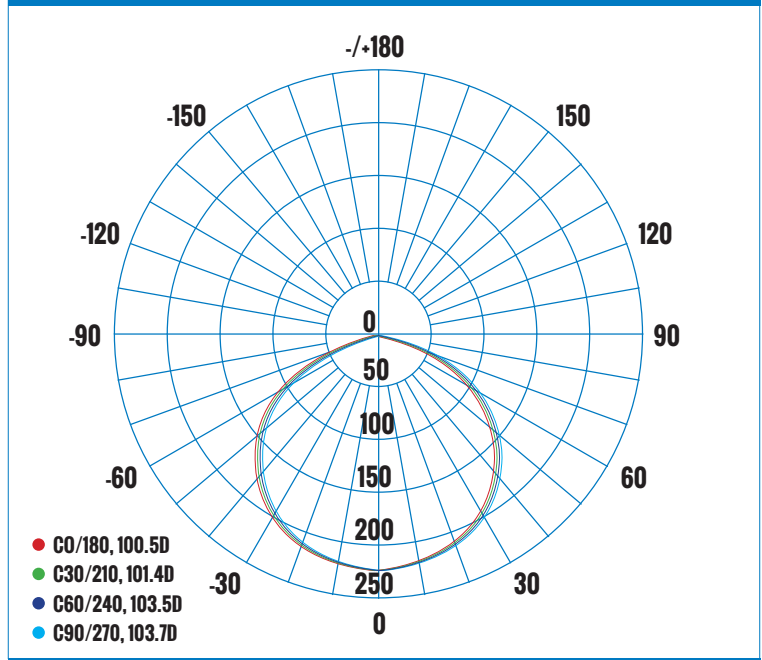
**PRODUCT CODE: DLSWR4-914D-WH-FF 4 INCH LED ULTRA SLIM PROFILE DOWNLIGHT**

**LUMINAIRE PHOTOMETRIC (TEST REPORT)**

**ILLUMINANCE (AT A DISTANCE) FLUX OUT: 396.3LM**

3.281FT 1M	7.963, 21.59FC 85.72, 232.4LX		7.9FT 240.78CM
6.562FT 2M	1.991, 5.397FC 21.43, 58.09LX		15.8FT 481.56CM
9.843FT 3M	0.8848, 2.399FC 9.524, 25.82LX		23.7FT 722.34CM
13.12FT 4M	0.4977, 1.349FC 5.357, 14.52LX		31.6FT 963.11CM
16.4FT 5M	0.3185, 0.863FC 3.429, 9.294LX		39.5FT 1203.89CM
<b>HT</b>	<b>EAVG/EMAX</b>	<b>ANGLE: 100.57DEG</b>	<b>DIA</b>

**LUMINOUS INTENSITY DISTRIBUTION DIAGRAM**



**AVERAGE BEAM ANGLE(50%) 116.1DEG**

<b>CERTIFICATIONS</b> 	<b>DRIVER / LED CHIP</b> 	<b>120V APPROVED DIMMERS</b> LUTRON: CTCL-153PDH · CTCL-153P · CT-600P LEVITON: 6672 · 6674 COOPER: HCL453PTCCCV6 	<b>ACCESSORIES</b>  72" EXTENSION CORD PART# DLSEC-72 120" EXTENSION CORD PART# DLSEC-120	<b>PRE-MOUNTING PLATE FOR NEW CONSTRUCTION APPLICATIONS AVAILABLE. PLEASE CONTACT ETLIN-DANIELS.</b>  PART NO#: DLS4-MP
---------------------------	------------------------------	--	--	---

**ORDERING INFORMATION - DLSW SERIES**

SERIES	IP RATING	SHAPE	SIZE	WATTAGE	VOLTAGE	COLOR TEMPERATURE	DIMMABLE	COLOR	LENS	TRIM
E.G. DLS	W	R	4	9	1	4	D	WH	F	F
DLS - DOWNLIGHT SLIM	W - WET LOCATION IP65	R - ROUND	4 - 4"	9 - 9W	1 - 120V	4 - 4000K	D - TRIAC	WH - WHITE	F - FROSTED	F - FIXED

**IF PRE-MOUNTING PLATE IS REQUIRED FOR NEW CONSTRUCTION PROJECTS, PLEASE QUOTE: PART NO#: DLS4-MP WHEN ORDERING.**

# CYLINDER

Wall mounted • Wet location listed



## Specifications:

### Description:

The P5674 Series are ideal for a wide variety of interior and exterior applications including residential and commercial. The Cylinders feature a 120V alternating current source and eliminates the need for a traditional LED driver. This modular approach results in an encapsulated luminaire that unites performance, cost and safety benefits.

### Construction:

- Metallic Gray (-82) (powdercoat)
- Die cast and extruded aluminum construction
- metal shade
- Flicker-free dimming to 10% brightness with most ELV type dimmers (See Dimming Notes)
- Back plate covers a standard 4" hexagonal recessed outlet box
- 4-1/2" sq. Mounting plate for outlet box included
- 6" of wire supplied
- Wet location listed when used with P8799 lens cover (sold separately)

### Performance:

Number of Modules	1
Input Power	17W
Input Voltage	120V
Input Frequency	60Hz
Lumens/LPW	788/46 (LM-79) per module
CCT	3000K
CRI	90
Life	60,000 (L70/TM-21)
EMI/RFI	FCC Title 47, Part 15, Class B
Min. Start Temp	-30° C
Max. Operating Temp	30° C
Warranty	5 year warranty
Labels	cCSAus Wet location listed

## P5674-82/30K

### Images:



### Dimensions:

- Width: 5"
- Height: 7-1/2"
- Depth: 8"
- H/CTR: 2-1/2"

### Catalog number:

Base	Finish	Color Temp	CRI
P5674	82 - Metallic Gray	30K - 3000K	Blank- 90 CRI

# OSL1020

## 2W Single Gang Outdoor LED Step Light Recessed Lighting

### Features

#### Body Construction

Fully sealed heavy duty injection molded plastic housing with frosted glass lens. Lens sealed with silicone to prevent any intrusion of water or other contaminants.

#### Light Output

Powered by a 2-watt Epistar® SMD LED. Available in 3000°K and 4000°K colour temperature, providing up to 145 lumen output, 120° beam spread. It maintains a colour rendering index greater than 75.

#### Lumen Maintenance

The LED lamp reduces ongoing maintenance with 70% of initial lumen output after 50,000 hours projected LED life.

#### LED Driver

Accommodates an input voltage of 100-240V AC via 9" 18AWG leads (black is hot, white is neutral/common), 60Hz.

#### Mounting

This fixture is designed to mount directly in to standard single gang J-Boxes, 2" x 4" with 21.0 cu. in. minimum volume

(with at least 1-1/2" inner clearance – free of any interference with device box parts) fitted with a gasket to seal against intrusion of water and other contaminants in wet locations (two gaskets included, gasket used depends on application). Designed to be mounted horizontally or vertically, depending on faceplate design and application.

#### Faceplates

Optional powder-coated or electroplated cast aluminum optical faceplates available for horizontal and/or vertical mounting (refer to page 2 for available faceplate options). Available in black, brushed nickel and flat white corrosion resistant paint.

#### Operating Temperature

-20°C ~ 40°C (-4°F ~ 104°F).

#### Environment

Suitable for use in wet locations. Rated IP67.

#### Approvals

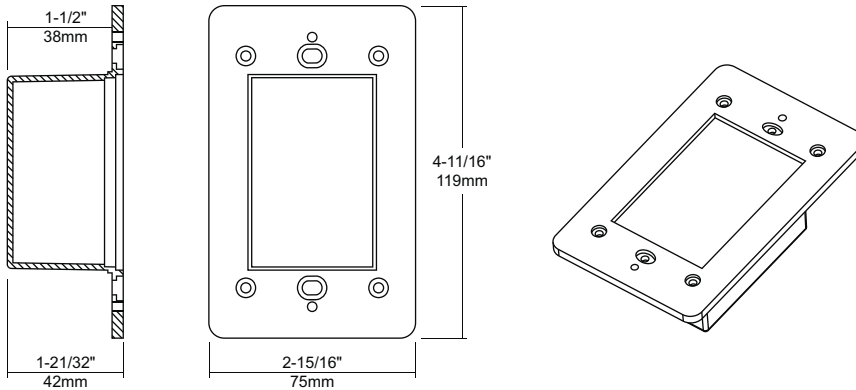
cETLus.

SPECIFICATION	
Application	Outdoor Lighting
Approved Location	Dry/Wet
Beam Angle	120°
CCT	3000°K/4000°K
Certification	cETLus
CRI	75+
Dimming	No
Lumen	140/145
Lumens per Watt	70/72.5
Max. Temp.	40°C
Min. Start Temp.	-20°C
Material	Plastic and glass
Primary Voltage	120-240V
Power Supply Type	Constant Voltage
Projected Lumen Maintenance	70% @ 50,000 hrs
Wattage	2W



### Description

This LED step light is designed for installation in to indoor or outdoor wall mount applications using standard junction boxes. Three optional distinct optical faceplates are available to provide unique light distribution patterns. Designed for horizontal or vertical mounting, depending on application. Ideal for both residential and commercial applications.



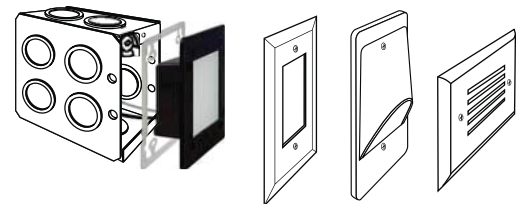
**Notes:** Accessories should be ordered separately. For additional options please consult your Liteline representative. Due to our continued efforts to improve our products, product specifications are subject to change without notice.

### Ordering Guide

**OSL1020-30K**  
Single gang outdoor LED step light, 2W, 3000°K, 140 lumens.

**OSL1020-40K**  
Single gang outdoor LED step light, 2W, 4000°K, 145 lumens.

### Faceplate Styles



Open Eyelid Louver

(Faceplate sold separately)

\* Accessories on page 2.