

CARBON MONOXIDE ALARM

**AC/DC USES
STANDARD 9V BATTERY**

NEW! CO5120BNA Series Carbon Monoxide Alarm

- **Easier—Less time to install**
- **Sleek, low profile design**



Features

Centered "Quick-Connect" wiring harness

Universal Mounting Bracket

Easy-opening, pivoting side-load 9V battery compartment

9V battery is pre-installed

Interconnectable—up to 12 multiple station CO5120BNA alarms

3rd Generation electronic CO sensing circuit

Operates on 120VAC with 9V battery back-up.

Latching alarm indicator

Single Test/Silence button

Benefits

Provides quick and easy connection to AC power

Center mounts to any standard electrical junction box up to 4" octagonal without screw removal. Large opening for wiring connects to unit every 60 degrees for easy alignment and quick installation. Does not warp due to drywall imperfections. Same size footprint as other BRK Electronics® smoke alarms.

No need to remove the unit from the ceiling to replace the 9V battery

Just pull the mylar tab from the battery drawer and the battery is connected.

Unit that detects carbon monoxide identifies itself, and sends alarm signal to other units connected in series.

Low power consumption — .085 amps standby, .087 amps in alarm
Reduces nuisance alarms

Red LED indicates which power supply is active — AC or DC

The latching alarm feature indicates which unit(s) in an interconnected series has (have) detected alarm levels of CO.

Dual Function:

- Tests all functions by electronically simulating the presence of CO
- Silences the alarm while the occupant(s) respond to an alarm. After the initial silence period, if levels of CO present still indicate a potentially dangerous situation, the alarm will sound again.

Cat. No. **CO5120BNA**

CARBON MONOXIDE ALARM 120 V AC HARDWIRE W/9V BATTERY BACK-UP

APPLICATION

BRK Electronics® Model CO5120BNA is a 120V, hard wired carbon monoxide alarm with a 9V battery back-up. It can be operated as a single station unit or interconnected to other BRK Electronics® Carbon Monoxide alarms. A latching alarm indicator shows which alarm(s) in an interconnected series detected alarm levels of carbon monoxide. These models also have a dual function test/silence button: during testing it will electronically simulate the presence of carbon monoxide, causing the unit to alarm; during an alarm it will temporarily silence the horn while residents take corrective action. The CO5120BNA has been fully tested and complies with Underwriters Laboratories, Inc. Safety Standard 2034 and Canadian Standard CSA 6.19-01 for single and multiple station carbon monoxide alarms, and with model building codes published by ICBO, SBCCI, BOCA and CABO. The CO5120BNA has a repeating temporal horn pattern - 4 beeps, pause, 4 beeps, pause. The alarm has been specifically designed for residential and institutional applications including single family homes, multi-family homes, sleeping rooms of hospitals, hotels, dormitories, and other mixed occupancy dwellings as defined in standard NFPA 101. The sensor is a third generation metal oxide type. It is adjusted not to detect CO levels below 30 PPM. This unit will not alarm when exposed to a constant level of 30 PPM for 30 days. It will alarm at the following levels under 30% to 70% relative humidity (RH):

400 PPM CO between 4 and 15 minutes
150 PPM CO between 10 and 50 minutes
70 PPM CO between 60 and 240 minutes

According to Underwriters Laboratories Inc. UL 2034 section 1.2: carbon monoxide alarms covered by these requirements are intended to respond to the presence of carbon monoxide from sources such as, but not limited to, exhaust from internal combustion engines, abnormal operation of fuel-fired appliances, and fireplaces. CO alarms are intended to alarm at carbon monoxide levels below those that could cause a loss of ability to react to the dangers of carbon monoxide exposure. This CO alarm monitors the air, and is designed to alarm before CO levels become life-threatening. This is only possible if the alarms are located, installed, and maintained as described in the user manual.

The Consumer Products Safety Commission (CPSC) recommends the use of at least one CO alarm per household, located near the sleeping area. For additional protection, install additional CO alarms on every level of the home, in each separate bedroom, and near each separate sleeping area. It is recommended that Model CO5120BNA CO alarms be interconnected. Refer to the Model CO5120BNA user manual for more information on proper location, placement, and installation.

ARCHITECTURAL AND ENGINEERING SPECIFICATIONS

The Carbon Monoxide Alarm shall be BRK Electronics® Model CO5120BNA or approved equal and shall provide, at a minimum, the following features and functions:

1. A third generation sensor calibrated to meet UL 2034, October 1, 1998 and CSA 6.19-01.
2. The unit should be 120V hard wired with 9V-battery back-up.
3. In battery back-up mode, the battery must last for 8 hour minimum in standby and then 12 hour minimum in alarm.
4. The unit should be self-diagnostic and have a visual and audible alert to indicate a malfunction.
5. The alarm unit must have a button that will test the alarm by simulating CO, and silence any nuisance alarm.
6. A solid state Piezo alarm horn rated 85dB at 10 ft. that provides a temporal pattern: 4 beeps, pause, 4 beeps, pause.
7. The alarm unit will have a red LED to indicate the status of the power supply (AC or DC).

8. The CO alarm will have a latched LED that will indicate which CO alarm(s) in the series detected alarm levels of CO. Latch is manually reset.
9. The CO alarm shall have an internal gasket to prevent the intrusion of outside air that might otherwise infiltrate the unit and clean carbon monoxide from the sensing chamber.
10. The unit shall be capable of operating between 40°F (4°C) and 100°F (38°C).
11. The CO alarm will be interconnectable with up to 12 units of its own type.

TECHNICAL SPECIFICATIONS

| | |
|-------------------------------|--|
| Alarm Circuit | Solid State |
| Operating Voltage | 120V AC 60 Hz, 9V DC back-up |
| Operating Ambient Temp. Range | 40°F (4°C) to 100°F (38°C) |
| Operating Humidity Range | 10% to 90% relative humidity (RH) |
| Alarm Horn Rating | 85dB at 10 ft. |
| Alarm Reset | Automatic when CO clears |
| Single Test/Silence Button | Tests all functions by electronically simulating the presence of CO. Resets the latch feature. Silences the alarm while the occupant(s) respond to an alarm. After the initial silence period, if levels of CO present still indicate a potentially dangerous situation, the alarm will sound again. |
| Alarm Status Indicators | |
| Battery Status Indicator | Red LED flashes approximately once per minute when unit is operating on battery power only. Horn chirps once per minute when battery becomes low. |
| Service Status Indicator | If unit is not operating properly, Red LED flashes three times in rapid succession (every minute); horn chirps simultaneously. |
| CO Alarm Status Indicator | Red LED flashes rapidly; horn sounds in repeating pattern (4 beeps, pause, 4 beeps, pause) when the unit has detected enough CO to trigger an alarm. |
| Unit Dimensions | 5.4" Dia. x 1.86" H (w/bracket) |
| Unit Weight | 7.3 oz. |
| Units Per Case | 12 units |

Dicon Global Inc.
88B East Beaver Creek Road, Unit 6
Richmond Hill, Ontario Canada L4B 4W2
info@diconglobal.com
Tel: 905-482-3270 Fax: 905-731-8267

BRK ELECTRONICS®

BRK®

THE PROFESSIONAL STANDARD

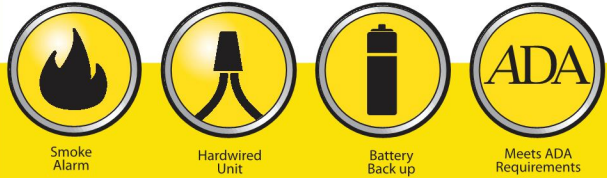
Smoke Alarm with Strobe Light for the hearing impaired

PHOTOELECTRIC TECHNOLOGY

CAT. **7010BSLA**

120V AC/DC, 60 Hz

Wire-in with 3V (two 1.5V AAA) Battery Backup



Integrated Photoelectric Smoke Alarm and Strobe Light

One device includes both a photoelectric smoke alarm and a strobe light. Requires only one electrical box. Saves installation time.

Smart Strobe

Works with BRK smoke, heat and CO alarms. Separate flash patterns to distinguish between smoke/heat or CO danger.

177 Candela Xenon Light

Powerful 177 candela xenon strobe light provides effective visual warning to awaken hearing impaired residents.

1Hz Flash Rate

60 flashes per minute meets ADA, ANSI 117.1, NFPA 72 and UL 1971 requirements for visual signaling devices.

Battery Backup

Two AAA batteries provide backup for the smoke alarm during power outages. (Note: will not power the strobe light)

Meets ADA Requirements

Meets the requirements of the Americans with Disabilities Act (ADA)

Two Latching Features

Alarm Latch - Visually identifies initiating alarm even after alarm condition is over. Low Battery Latch - Visually identifies which unit is in low battery condition.

Two Silence Features

Temporarily silence low battery chirp for up to eight hours before replacing battery or silence an unwanted alarm for several minutes.

NOTE: Photoelectric technology is generally more sensitive at detecting large particles, which tend to be produced in greater amounts by smoldering fires.

NOTE: Ionization technology is generally more sensitive at detecting small fast moving particles, which are produced by "fast flaming" fires.

BRK Model 7010BSLA is an ADA hearing impaired strobe light specifically designed for residential and institutional applications including sleeping rooms of hospitals, hotels, motels, dormitories, and other multifamily dwellings as defined in standard NFPA 101.

BRK Model 7010BSLA is a state of the art Strobe Light designed to provide hearing impaired individuals with a visual warning of a fire or a carbon monoxide danger when used with smoke, heat or carbon monoxide alarms. The Smart Strobe has separate flash patterns to distinguish between smoke/heat and carbon monoxide dangers. These different patterns are to help a hearing impaired person better distinguish the danger present.

The 7010BSLA operates on 120V AC and features a green LED that signals the unit is receiving power. Interconnectable with up to 18 devices, of which 12 can be smoke alarms. Model 7010BSLA was designed with quick and easy installation in mind. Designed to cover most drywall cut-outs, the specially designed mounting bracket mounts on any electrical box up to 4" octagonal and does not require screw removal. Connection to AC power is made with a "Quick-Connect" wiring harness.



| Individual Carton | | | | | | | Master Carton Dimensions | | | |
|-------------------|-------|--------|-------|---------|----------|-----------------|--------------------------|-----------------|-------------------|------------------|
| UPC | H" | W" | D" | Weight | Cube | 12of5 | Master Pack | Cases per Layer | Numbers of Layers | Cases per Pallet |
| 029054008428 | 5.25" | 4.375" | 5.25" | 0.97 lb | 0.07 ft3 | 300290054008429 | 3 | 21 | 7 | 147 |

CAT. 7010BSLA



Smoke Alarm



Hardwired Unit

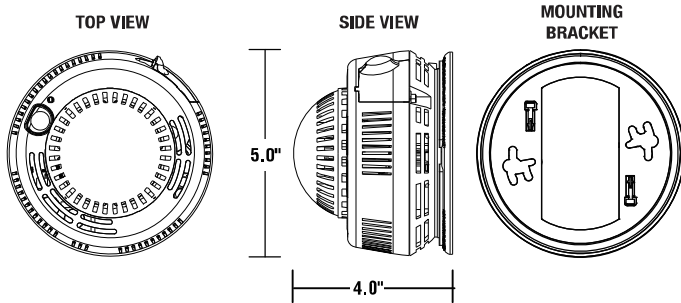


Battery Back up



Meets ADA Requirements

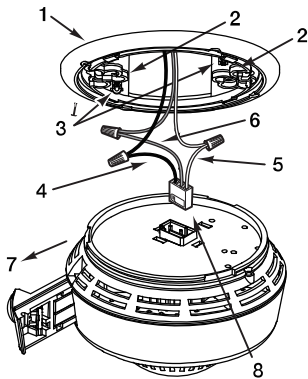
ARCHITECTURAL AND ENGINEERING SPECS:



The strobe light shall be a BRK Model SC7010BSLA and shall provide at a minimum the following features and functions:

1. A 177 candela Xenon strobe.
2. The strobe light shall be powered by 120V AC.
3. The Smart Strobe shall have separate flash patterns to distinguish between smoke/heat and carbon monoxide dangers.
4. A visual LED (green) power-on indicator to confirm the unit is receiving AC power.
5. The unit shall be capable of operating between 40°F and 100°F (4-38°C) and relative humidity of 10% and 90%.
6. The unit shall mount to any standard electrical box up to 4" octagonal without screw removal and shall be listed for ceiling or wall mounting.
7. The unit shall have a plug-in connector and be capable of interconnection up to 18 multiple station alarms per NFPA 72.
8. The unit shall at a minimum meet the requirements of UL1971, ADA, ANSI 117.1, CSFM, NFPA 72, NFPA 101 and the ICC.

THE PARTS OF THIS SMOKE ALARM



1. Mounting bracket
2. Mounting Slots
3. Locking Pins
4. Hot (Black) AC Wire
5. Neutral (White) AC Wire
6. Interconnect (Orange) Wire
7. Pull-out Battery Drawer
8. Quick-Connect Plug

TECHNICAL SPECS:

| | |
|---------------------------|---|
| Alarm Dimensions: | 5.0" dia x 4.0"H |
| Weight: | 10.9 oz |
| Operating Voltage: | 120V AC 60Hz, two AAA battery backup |
| Operating Current: | .04/1.0 amp (standby/alarm) |
| Temperature Range: | 40°F (4°C) to 100°F (38°C) |
| Humidity Range: | 10% to 95% relative humidity (RH) |
| Audio Alarm: | 85dB at 10 feet |
| Visual Alarm: | 177 candela Xenon strobe |
| Flash Rate: | 1 Hz |
| Smoke Alarm: | Constant approximately 1 flash per second |
| CO Alarm: | If Alarm is interconnected to BRK CO alarm or combo Co alarm the intermittent approximately 1 flash per second for four seconds |
| Alarm Reset: | Automatic when smoke and/or CO clears Press test/ silence button to silence manually |
| Interconnections: | Up to 18 units of First Alert or BRK Smoke, CO and Heat Alarms. Maximum of 12 smoke alarms. See user's manual for details. |
| Smoke Sensor: | Photoelectric |
| Indicator Lights/Sounds: | |
| AC Power: | Constant Green LED |
| Local Alarm: | Audio alarm, steadily flashing strobe and rapidly flashing Red LED |
| Remote Alarm: | Audio alarm, steady flashing strobe and Red LED off |
| Latching Alarm Indicator: | Audio off and corresponding Red lights flashing 2 seconds on 2 seconds off after local alarm unless reset by test/silence button. |
| Low Battery Latch: | "Green/Power" LED flashes green on for 2 seconds/off for 2 seconds. |
| Listing: | ULC5531 |

SHIPPING SPECS:

| | |
|-------------------|------------------------------|
| Individual Carton | |
| Dimensions: | 5.25" H x 4.375" W x 5.25" D |
| Weight: | 0.97 lb |
| Cube: | 0.07 ft ³ |
| UPC: | 029054008428 |

| | |
|---------------|-------------------------------|
| Master Carton | |
| Master Pack: | 13.68" L x 5.68" W" x 6.12" H |
| Weight: | 3.07 lb |
| Cube: | 0.2759 ft ³ |
| 12of5: | 300290054008429 |

| | |
|---------------------|-----------------------|
| Pallet Information: | |
| Cases per layer: | 21 |
| Number of Layers: | 7 |
| Cases per Pallet: | 147 |
| Cube: | 45.29 ft ³ |
| Weight: | 516.29 lb |



©2012 BRK/First Alert
Dicon Global Inc.

88B East Beaver Creek Unit 6
Richmond Hill, Ontario L4B 4W2
Customer Service: 1-800-387-4219

All rights reserved

First Alert is a registered trademark of the First Alert Trust
BRK is a registered trademark of BRK Brands, Inc.

brkelectronics.com